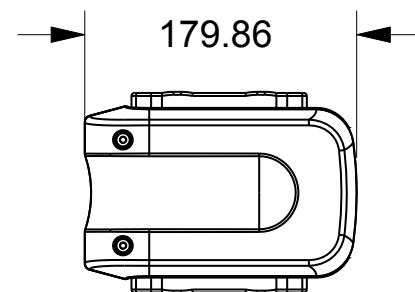
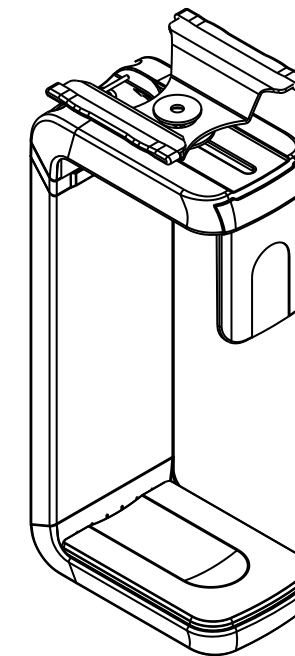
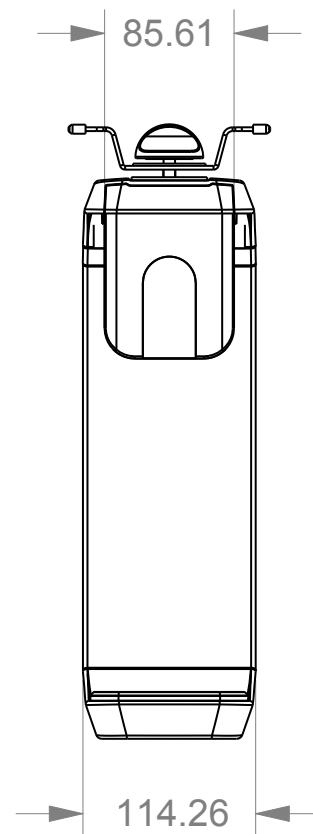
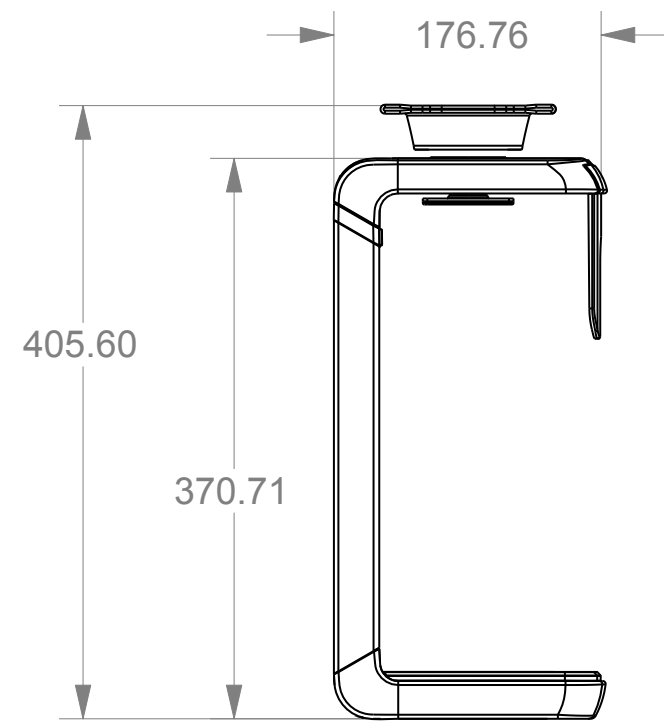


REV.	DESCRIPTION	DATE	BY
------	-------------	------	----



TOLERANCES UNLESS NOTED
 mm [INCHES]
 .XX = ±.10 .XXX = ±.005
 .X = ±.25 .XX = ±.010
 ANGLES = ±1°

Humanscale

11 East 26th Street, NYC, NY 10010
 TEL: 212 725 4749, FAX: 212 725 7545

MATERIAL		PROJECT		
WEIGHT		NPR 33 - CPU 600		
g		TITLE		
DRAWN BY		CPU Assembly		
DATE		SHEET	OF	SCALE
		1	1	1:5
		DRAWING NO.		
		33-1000		B

PROPRIETARY AND CONFIDENTIAL
 THE INFORMATION CONTAINED IN THIS DRAWING IS THE SOLE PROPERTY OF HUMANSCALE. ANY REPRODUCTION OR DISTRIBUTION IN PART OR AS A HOLE WITHOUT THE WRITTEN PERMISSION OF HUMANSCALE IS PROHIBITED.